



EXTERNAL
ALUMINIUM
SHUTTERS

SCREENS & PLANTATION SHUTTERS

EXT >



STYLISH ALUMINIUM

COMMERCIAL & RESIDENTIAL

Stylish Aluminium

Vueline Aluminium Shutters provide an elegant plantation Shutter option designed for harsh external environments. The Shutters are designed with durability and strength to withstand high-traffic environments, the external elements, and wet areas. Our Vueline Aluminium Shutters transform your outdoor spaces, into more liveable, functional, and stylish environments.

EXTERNAL

LOCAL & IMPORTED
SHUTTER TYPES

LOCAL & IMPORTED
MOUNTING SYSTEM

COMMERCIAL
& RESIDENTIAL



LOCAL & IMPORTED

HINGED

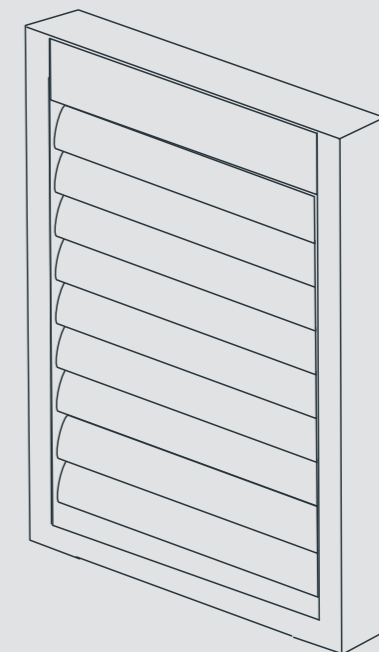
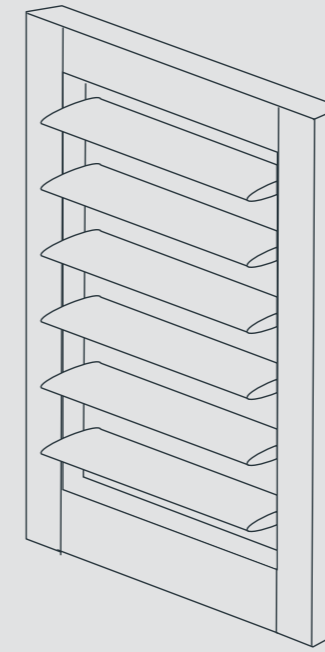
MOUNTING OPTIONS

COMMERCIAL & RESIDENTIAL

Mounting **System**

operableblade

fixedblade



Alfresco Areas | Door & Window Openings
Door & Window Openings | Alfresco Areas

Why Choose Vueline **Hinged Shutters**



Great for high trafficable openings

Perfect to shade or secure doors or windows



LOCAL & IMPORTED

BI FOLD

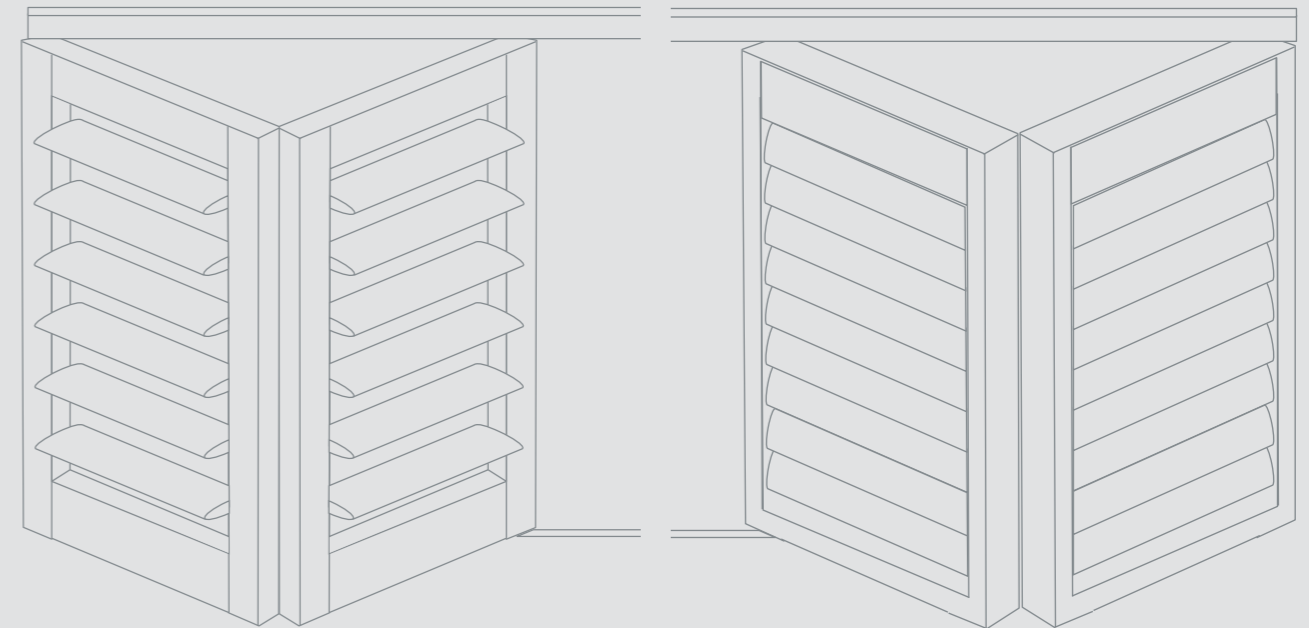
MOUNTING OPTIONS

COMMERCIAL & RESIDENTIAL

Mounting **System**

operableblade

fixedblade



Alfresco Areas | Door & Window Openings
Door & Window Openings | Alfresco Areas

Why Choose Vueline **Bi Fold Shutters**



Perfect for wide span & uninterrupted openings.



Able to stack your panels away neatly.



Create a versatile enclosure.



LOCAL & IMPORTED

SLIDING

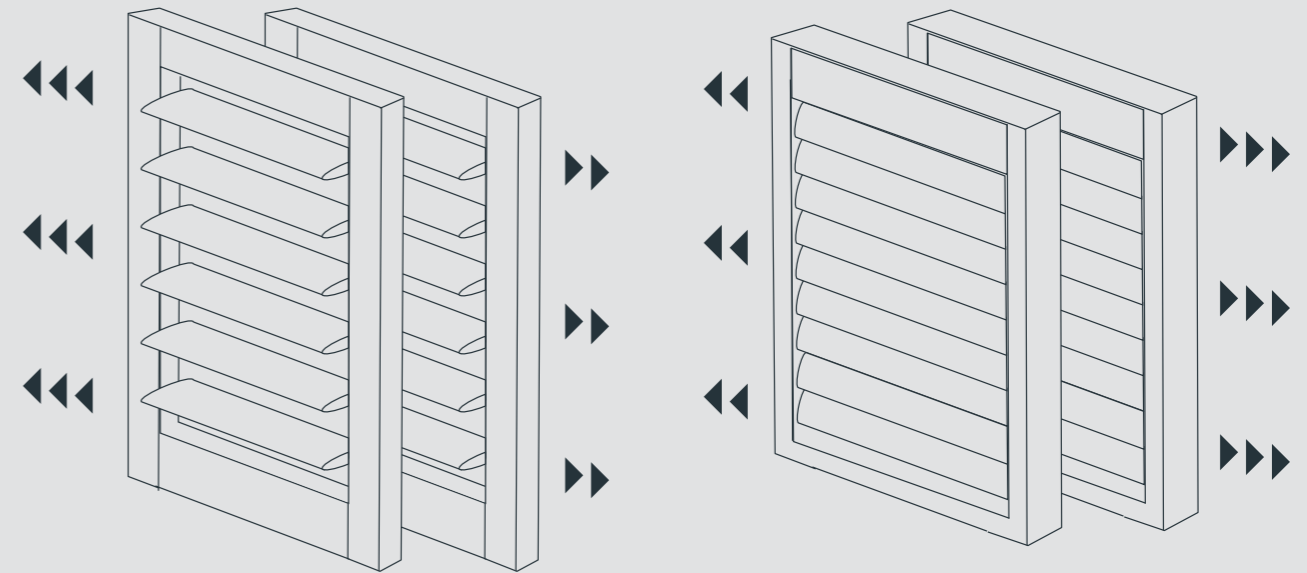
MOUNTING OPTIONS

COMMERCIAL & RESIDENTIAL

Mounting **System**

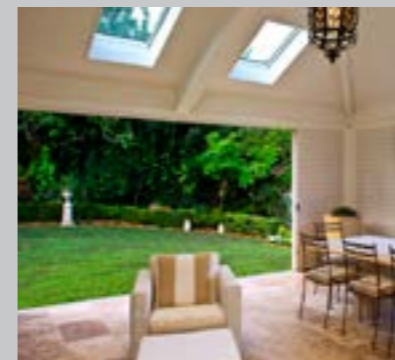
operableblade

fixedblade

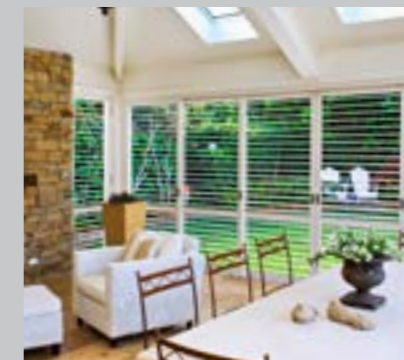


Alfresco Areas | Door & Window Openings
Door & Window Openings | Alfresco Areas

Why Choose Vueline **Sliding Shutters**



Perfect for wide span & uninterrupted openings.



Easily slide your panels across your opening for privacy and light control.



Perfect for enclosing balconies and verandas.



LOCAL & IMPORTED

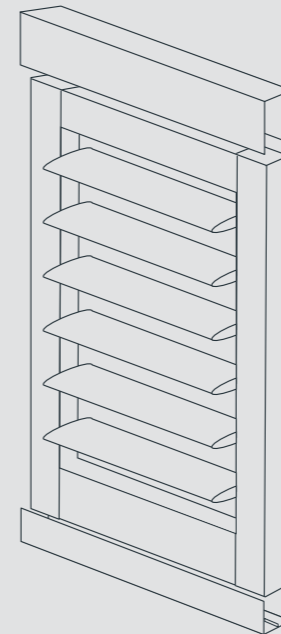
U CHANNEL

MOUNTING OPTIONS

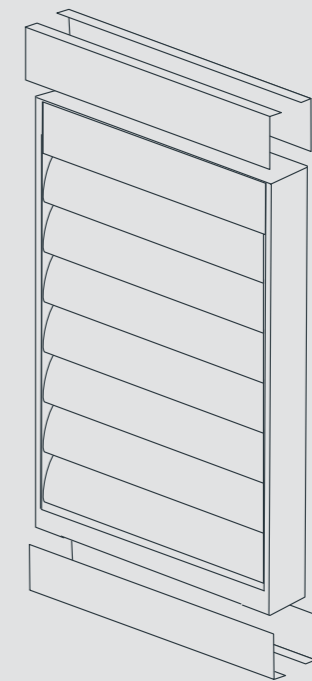
COMMERCIAL & RESIDENTIAL

Mounting **System**

operableblade



fixedblade



Alfresco Areas | Door & Window Openings
Door & Window Openings | Alfresco Areas

Why choose Vueline **U-Channel mount shutters**



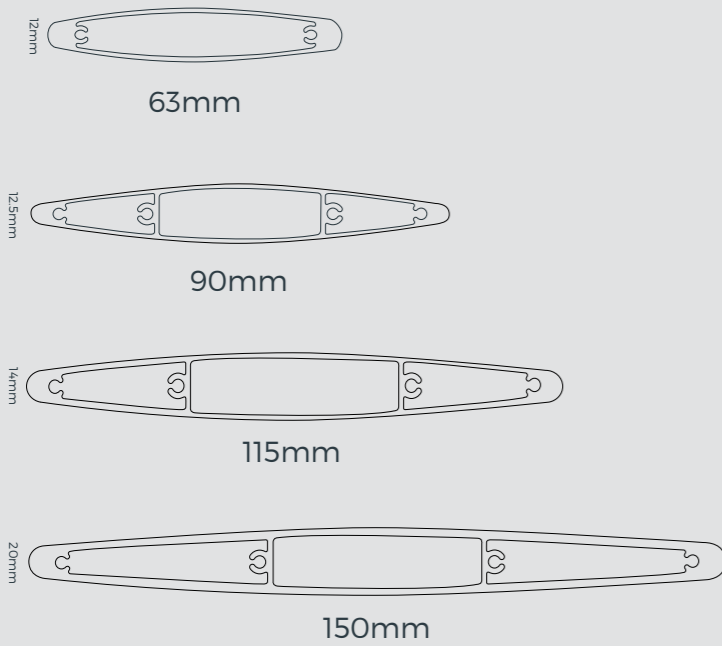
Create a fixed barrier of louvers.



Perfect for voids and BBQ areas

LOCAL & IMPORTED OPTIONS

Fixed or Operable Blade Options



PLEASE NOTE
 · IMPORTED: All blades have colour coded end caps
 · LOCAL: 63, 90, 115mm blades have white, black, silver and cream end caps.
 150mm blades have colour coded end caps

Fixed or Operable Rake Speciality Shapes

LOCAL & IMPORTED COLOUR OPTIONS



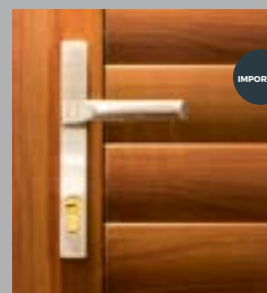
Imported - Standard Colour Options



Imported - Custom Colour Options (Surcharge Applies)



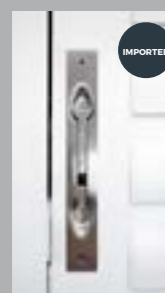
Fixed or Operable - Accessories



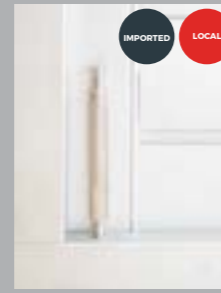
Handle Locks



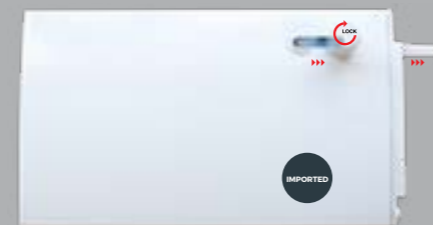
Dead Locks



Flush Bolts



Drop Bolts



Blade Locks

Local - Standard Colour Options



Local - Custom Colour Options (Surcharge Applies)



7 YEARS WARRANTY

COMMERCIAL & RESIDENTIAL

- 7 Year Warranty** on Paint Finish
- 7 Year Warranty** on Construction
- 7 Year Warranty** on Workmanship

Peace of mind with Vueline Aluminium Shutters quality construction, allowing us to offer a 7 Year Warranty.



LOCAL MADE OPTION AVAILABLE





VERSATILE ALUMINIUM!

COMMERCIAL & RESIDENTIAL

Quality Aluminum

Interior or Exterior application

Strong Construction

Exterior Grade Powdercoating

Protection from the Elements

Stylish Design & Colour options.

Privacy & Light Control



IMAGE GALLERY

COMMERCIAL & RESIDENTIAL



QUALITY CONSTRUCTION

HINGED

MOUNTING OPTIONS



LOCAL & IMPORTED

BI FOLD

MOUNTING OPTIONS





LOCAL & IMPORTED

SLIDING

MOUNTING OPTIONS





LOCAL & IMPORTED

U CHANNEL

MOUNTING OPTIONS



LOCAL & IMPORTED
U CHANNEL
MOUNTING OPTIONS

